

How to Remove and Replace Laptop Hard Drive

Before you begin removing and replacing your Laptop Hard Drive..

Preparing to Work Inside the Computer

[Notice] Only a certified service technician should perform laptop repairs on your system. Damage due to servicing that is not authorized by Dell is not covered by your warranty.

[[Notice]] To avoid damaging the computer, perform the following steps before you begin working inside the computer.

1. Make sure that the work surface is clean to prevent scratching the computer cover.
2. Save any work in progress and close all open application programs.
3. Turn off the computer and all attached devices.

Note: Make sure the computer is turned off and not in suspended-to-disk or hibernate mode. If you cannot shut down the computer using the computer's operating system, press and hold the power button for 4 seconds.

4. Make sure the computer is undocked.
5. Disconnect the computer from the electrical outlet.
6. To avoid possible damage to the system board, wait 10 to 20 seconds and then disconnect any attached devices.
7. Disconnect all other external cables from the computer.
8. Remove any installed PC Cards or plastic blanks from the PC Card slot.
9. Close the display and turn the computer upside down on a flat work surface.

[Notice] To avoid damaging the system board, you must remove the main battery and secondary battery (if present) before you service the computer.

10. Remove the primary battery from the battery bay and the secondary battery from the modular bay, if a secondary battery is in use.
11. Remove any installed device in the modular bay.
12. To dissipate any static electricity while you work, use a wrist grounding strap or periodically touch an unpainted metal surface.
13. Handle components and cards with care. Do not touch the components or contacts on a card. Hold a card by its edge or by its metal mounting bracket. Hold a component such as a microprocessor by its edges, not by its pins.

Recommended Tools

The procedures in this manual require the following tools:

- #1 magnetized Phillips screwdriver
- Small flat-blade screwdriver
- Small plastic scribe
- Microprocessor extractor
- Flash Bios update program diskette or CD (required only when upgrading the microprocessor or replacing the reserve battery)

Removing the Hard Drive

1. Save and close any open files, exit any open programs, and shut down the computer.

[Notice] Disconnect the computer and any attached devices from electrical outlets, and remove any installed batteries.

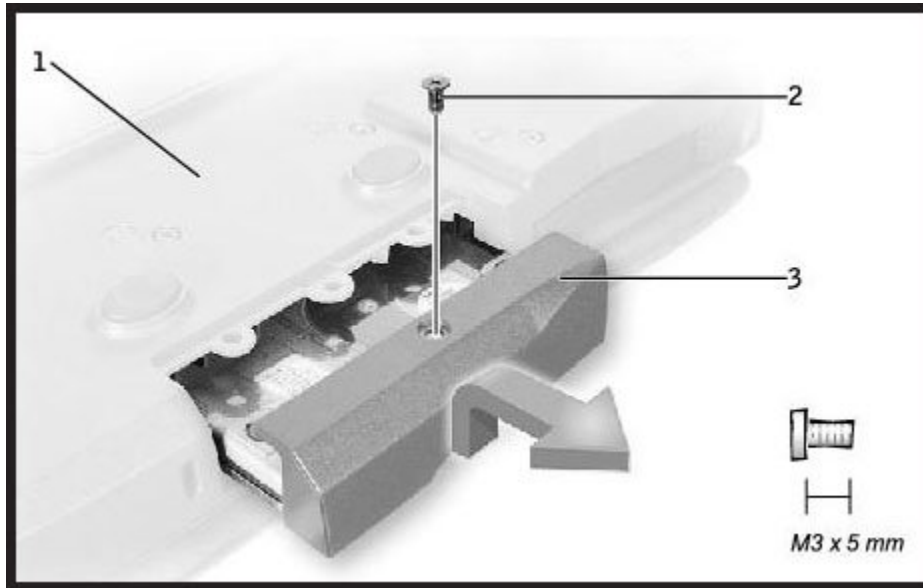
[Notice] The hard drive is very sensitive to shock. Handle the hard drive by its edges (do not squeeze the top of the hard drive case), and avoid dropping it.

[Notice] To prevent data loss, turn off your computer before removing the hard drive. Do not remove the hard drive while the computer is running, in standby mode, or in hibernate mode.

Caution: If you remove the hard drive from the computer when the drive is hot, do not touch the metal housing of the hard drive.

2. Ground yourself by touching a metal connector of the back of the computer.
3. Turn the laptop over. Remove the M3 x 5-mm screw from the hard drive door.

Hard Drive Removal



1	Bottom of Laptop
2	M3 x 5-mm screw
3	Hard Drive door

4. Lift up the hard drive door until you hear a click.
5. Slide the hard drive out of the computer.

Replacing the Hard Drive

[Notice] Use firm and even pressure to slide the hard drive into place. If you force the hard drive into place using excessive force, you may damage the connector.

1. Lift up the hard drive door until you hear a click. Push the hard drive into the drive bay until it is fully seated in the bay.
2. Press the hard drive door down
3. Replace the M3 x 5-mm screw in the hard drive door.